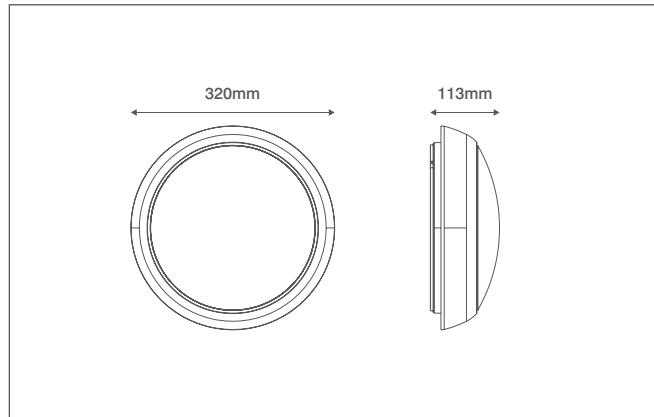


Product Code: OV9700WH16EM

Description: 16W LED Bulkhead - Emergency - IP65 - CTA - White



General Information

Dimensions	320mm Diameter x 113mm (D)
Materials	Base & Diffuser: Polycarbonate (UV Stabilised) Gear Tray: Powdercoated Steel LED Array: Aluminium Substrate
Finish	White (RAL 9010)
Product Weight	1Kg
Ingress Protection	IP65
Flammability	UL94-V2
Warranty	5 Years (4 Years Battery)

Supply & Power

Input Voltage & Frequency	200-240V~ 50/60Hz
Electrical Safety	Class II (Double Insulated)
LED Wattage	16W
Circuit Wattage	18W
Input Current	150mA (Max.)
Power Factor	>0.95
Ambient Temperature (Ta)	0°C - +50°C
Critical Temperature	+80°C
LED Driver	Integrated
Termination	4 Pole Push-fit Terminals

Luminaire Output

Colour Temperature	3000K	4000K	6000K
Typical Luminous Flux	1250lm	1500lm	1400lm
Efficacy	69lm/W	83lm/W	87lm/W
Emergency Luminous Flux	98lm	98lm	98lm
Beam Angle	107°	107°	107°
CRI	>80		
LED Lifetime (L70)	30,000 Hours		

Emergency Information

Installation Requirements	Can be wired as maintained or non-maintained
Battery Specification	Li-Ion 2000mAh 3.7V
Battery Warranty	4 Years
Emergency Duration	3 Hours Minimum

